

4

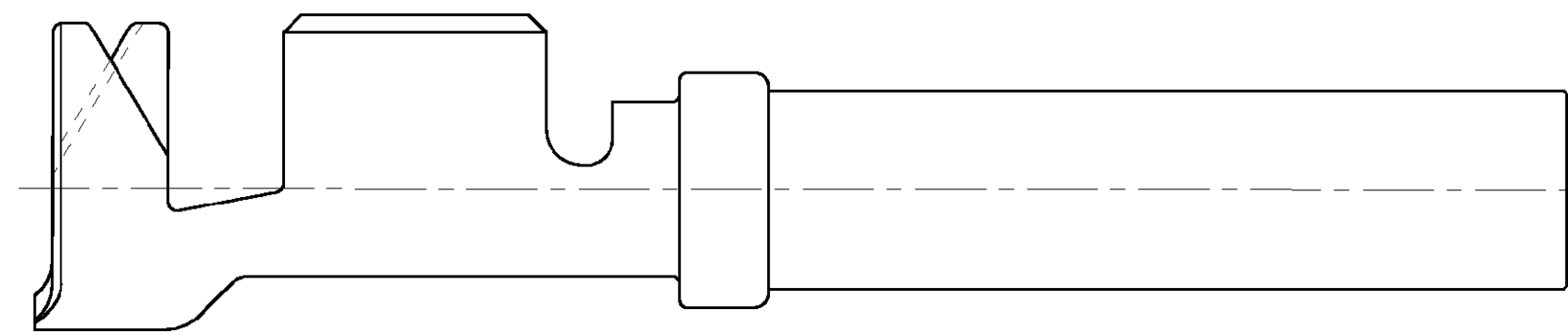
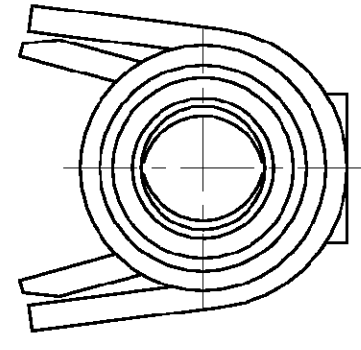
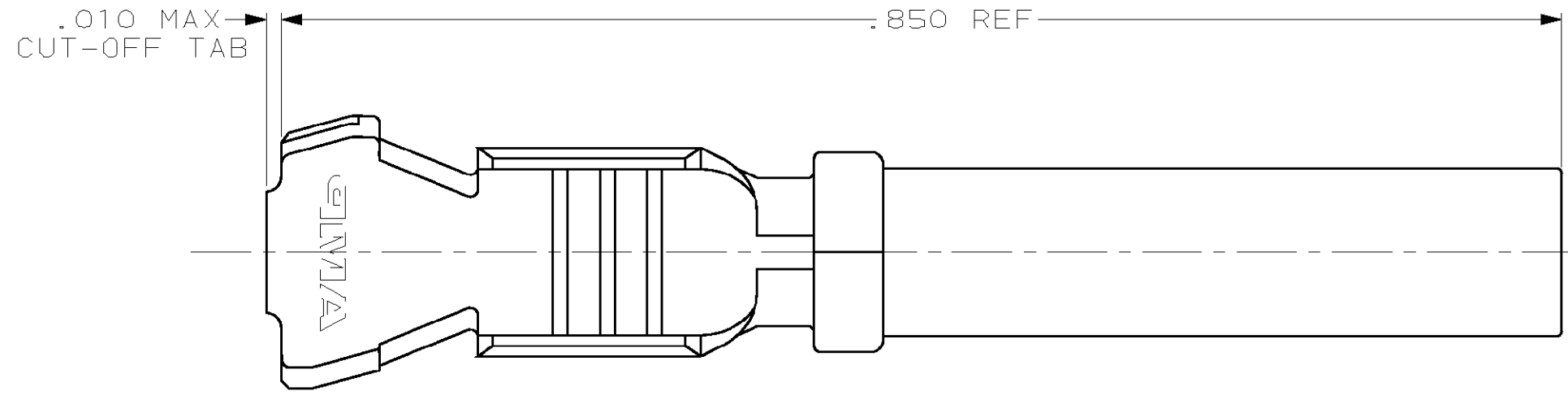
3

2

1

THIS DRAWING IS UNPUBLISHED. RELEASED FOR PUBLICATION .19  
 BY AMP INCORPORATED. ALL RIGHTS RESERVED.

LOC	DIST	REVISIONS					
		P	LTR	DESCRIPTION	DATE	DWN	APVD
GE	33			REL PER PR# 99-7	2-17-99	PC	WL
		A		REV PER 0K40-0013-01	24AUG01	AG	MT



1. WIRE RANGE: 18-14 AWG

DESCRIPTION	FINISH	PART NUMBER
LOOSE PIECE VERSION OF 776093-2	NICKEL	776299-2
LOOSE PIECE VERSION OF 776093-1	GOLD	776299-1

THIS DRAWING IS A CONTROLLED DOCUMENT.		DWN P. COLLINS 2-17-99		
DIMENSIONS: in		CHK W. LONG 2-17-99	NAME S. MARPOE 2-17-99	
TOLERANCES UNLESS OTHERWISE SPECIFIED: 0 PLC ±- 1 PLC ±- 2 PLC ±.02 3 PLC ±.005 4 PLC ±- ANGLES ±-		APVD S. MARPOE 2-17-99	PRODUCT SPEC -	
MATERIAL SEE TABLE		APPLICATION SPEC -	RESTRICTED TO -	
FINISH SEE TABLE		WEIGHT -	SIZE A2	CAGE CODE 00779
		CUSTOMER DRAWING	DRAWING NO C-776299	SCALE 10:1
			SHEET 1 OF 1	REV A

776299